

# FRANKIE BUNK



AMSTERDAM  
DESIGN  
WAREHOUSE  
**HOUSE  
OF ORANGE**



New Dutch Blonde Single Bunk  
Ladder position A  
in Limewash

Build Your Bed Online

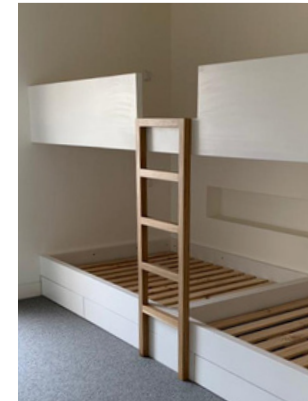


1300 009 991  
info@houseoforange.com.au  
www.houseoforange.com.au

# FRANKIE BUNK



Safe and solid | Adaptive | Stylish | Made in Melbourne  
Can be converted into standalone bed or loft beds.



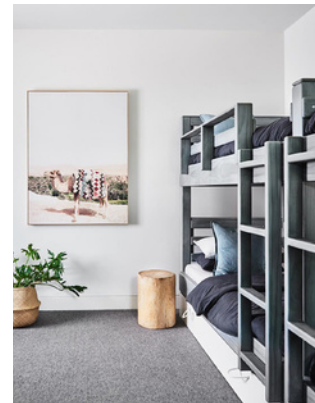
Frankie special project build in King Single



L-shaped Frankie for small room, sleeps 5



Frankie Bunk Single over Double with angled ladder



Frankie Bunks 2 x single along one wall, made to length, sleeps 4 to 6 (with trundle)



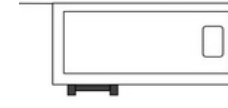
Certified Australian Safety Standards



**HOUSE OF ORANGE**  
AMSTERDAM  
DESIGN  
WAREHOUSE

## LADDER POSITIONS

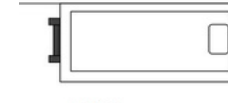
Ladder A



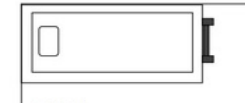
Ladder B



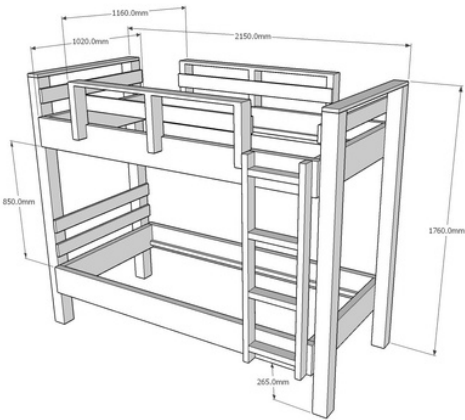
Ladder C



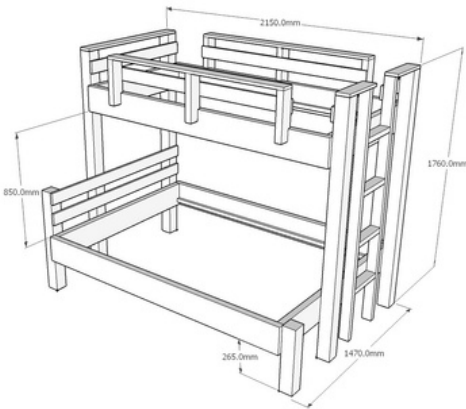
Ladder D



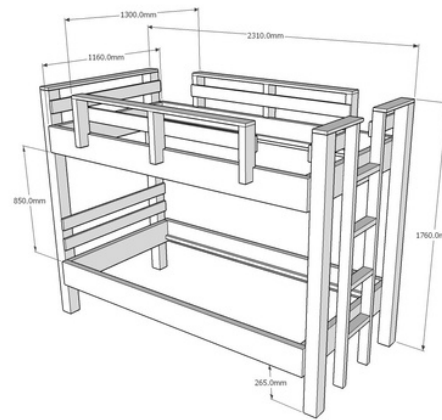
## FRANKIE SPECIFICATIONS



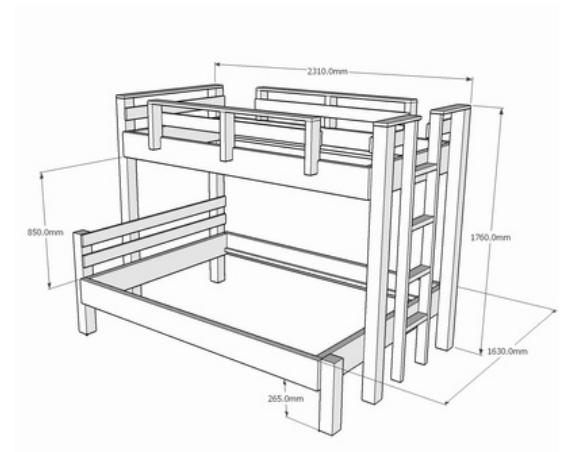
Single Bunk Ladder B



Single/Double Ladder D



King Single Bunk Ladder D



King Single/Queen Bunk Ladder D

# FRANKIE SPECIFICATIONS AND PRICING

						Dimensions	
<b>Single</b>	\$2,925	+ \$695 Trundle*	<b>Or</b>	+ \$995 Storage box* x2	+ \$625 S Mattress	+ \$275 S 6" Foam Trundle mattress	2150L x 1020W x 1760H
<b>King Single</b>	\$3,495	+ \$795 Trundle*	<b>Or</b>	+ \$1,095 Storage box* x2	+ \$725 KS Mattress	+ \$325 KS 6" Foam Trundle mattress	2310L x 1160W x 1760H
<b>Single Top Double Bottom</b>	\$3,495	+ \$795 Trundle* +\$125 Angled ladder	<b>Or</b>	+ \$1,095 Storage box* x2	+ \$625 + \$875 S or D Mattress	+ \$275 + \$425 S or D 6" Foam Trundle mattress	2150L x 1470W x 1760H
<b>King Single Top Queen Bottom</b>	\$3,995	+ \$895 Trundle* +\$125 Angled ladder	<b>Or</b>	+ \$1,295 Storage box* x2	+ \$725 + \$995 KS or Q Mattress	+ \$325 + \$495 KS or Q 6" Foam Trundle mattress	2310L x 1630W x 1760H
<b>Double Over Double</b>	\$3,895	+ \$795 Trundle*	<b>Or</b>	+ \$1,095 Storage box* x2	+ \$875x2 D Mattress	+ \$275 + \$425 D 6" Foam Trundle mattress	2150L x 1470W x 1760H

\*Trundle and storage boxes all on concealed caster wheels.

Price includes safety rails, bed slats and ladder.  
All prices include GST.

## Optional

Book Nook with LED reading light and USB port (per bed)

- Single \$590
- King Single \$620
- Double \$670
- Queen \$770

# MATERIALS

## Beds

Sustainably grown eco pine, clear grade

## Paint

Low VOC, water-based paints

## Origin

Made in Melbourne, we offer Australia wide delivery

## Standard production time

10 weeks with 50% deposit

Optional: 6 weeks fast-track: subject to workshop capacity with a 10% surcharge and payment in full.

## Warranty

24 Months

## Weight Rating

150 kgs per sleeping location.

Standard Frankie height is designed for a 2.4 m ceiling with enough space between the beds for an adult to sit up straight.

Some dimensions can be varied to meet your specific requirements.

Please note all our furniture is made by hand from the highest quality materials. Timber is a living product and some minor imperfections may occur. They will not have any impact on durability or structural integrity.



**HOUSE OF ORANGE**  
AMSTERDAM  
DESIGN  
WAREHOUSE

1300 009 991  
info@houseoforange.com.au  
www.houseoforange.com.au

HOUSE OF ORANGE DESIGN PTY LTD  
ABN: 81 603977 957  
917 HIGH STREET, ARMADALE VICTORIA 3143  
600 CHURCH STREET, RICHMOND VICTORIA 3121  
BSB: 083372 ACC: 732865261



## FINISHES



Stonewash



New Dutch Blonde



Charcoal



Limewash  
**10% surcharge**



Deep Domino



Haag Green

## Mattress

Recommended thickness: 23cm for beds and 15cm for trundles.

Our mattresses:

- Australia made with 15 year warranty
- Luxurious hyper soft quilting
- Latest Bekaert Adaptive™ treatment (temperature control)
- Heavy duty zoned low profile inner spring
- Edge supports to maximise sleeping area
- No partner disturbance
- High density Australia made foams
- Four layers of needed felt pads
- Health Guarded treated
- Wool comfort layer
- No turn technology



Certified Australian  
Safety Standards



1300 009 991  
info@houseoforange.com.au  
www.houseoforange.com.au

HOUSE OF ORANGE DESIGN PTY LTD  
ABN: 81 603977 957  
917 HIGH STREET, ARMADALE VICTORIA 3143  
600 CHURCH STREET, RICHMOND VICTORIA 3121  
BSB: 083372 ACC: 732865261